



WHOLESALE ELECTRIC ASIA



Wholesale W Electric
Wholesale Electric Supply Co. of Houston, Inc.

POWERING YOUR WORLD

Wholesale Electric Asia (Thailand) delivers one-stop integrated solution for multiple industries

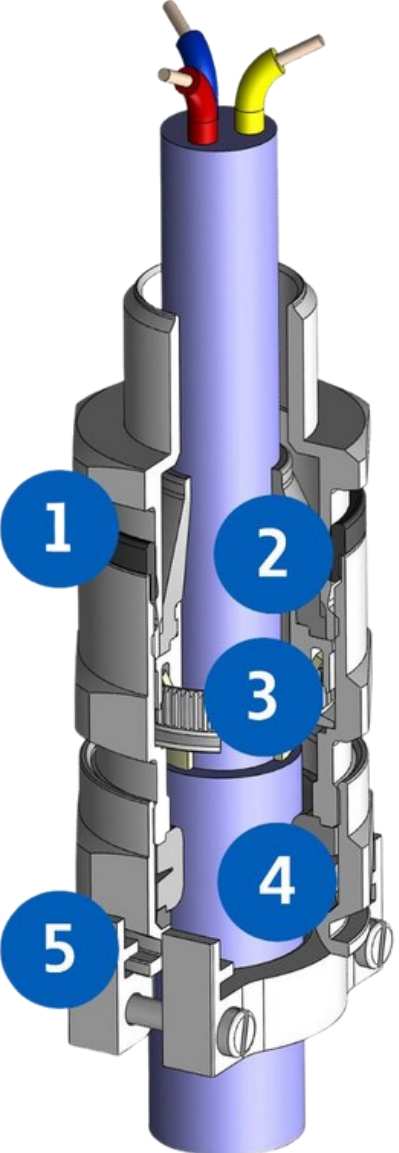
China-Indonesia-Philippines-Singapore-South Korea-Thailand

CAPRI SITE REFERENCE

EATON
Powering Business Worldwide

Crouse-Hinds
by **EATON**

CAPRI



INDUSTRY	PROJECT	YEAR	OWNER	PROJECT LOCATION
O&G PETROCHEMICAL	EAGLE PROJECT	2023	TOTAL CORBION	THAILAND
O&G PETROCHEMICAL	YULONG PROJECT	2023	YULONG	CHINA
O&G PETROCHEMICAL	DOW CHEMICA PLANT	2022	DOW CHEMICAL	THAILAND
O&G PETROCHEMICAL	SCGC CONTRACT CABLE GLAND	2022	SCGC	THAILAND
O&G PETROCHEMICAL	IRPC - HMU2 PACKAGE E38A SUBSTATION	2022	IRPC	THAILAND
O&G PETROCHEMICAL	SHELL 8KT BITUMEN	2022	SHELL	THAILAND
O&G, PETROCHEMICAL	PTTOR SURAT	2022	PTTOR	THAILAND
O&G, PETROCHEMICAL	PTTOR SARABURI	2022	PTTOR	THAILAND
O&G PETROCHEMICAL	PTTGC MRO SCOPE	2021	PTTGC	THAILAND
FOOD & BEVARAGE	VINE PROJECT	2021	CROWN BEVERAGE	VIETNAM
O&G PETROCHEMICAL	PTT SURAT B100 STATION	2021	PTT	THAILAND
INDUSTRY	CPO PROJECT	2021		THAILAND
O&G, PETROCHEMICAL	SYNTHETIC AMMONIA RELOCATION TECHNICAL TRANSFORMATION PROJECT	2020	HUBEI YUNHUAAN	CHINA
O&G, PETROCHEMICAL	4000 TONS/YEAR REFINERY	2020	ZHEJIANG PETROCHEMICAL	CHINA
O&G, PETROCHEMICAL	CPP-TS3&TS4	2020	CNPC	CHINA
O&G, PETROCHEMICAL	ZPEC	2020	ZPEC	
O&G, PETROCHEMICAL	ZHENJIANG QIMEI CHEMICAL	2020	ZHEJIANG QIMEI CHEMICAL	CHINA
O&G, PETROCHEMICAL	13TONS/YEAR SULFUR RECOVERY UNIT	2020	ZHEJIANG PETROCHEMICAL	CHINA
O&G, PETROCHEMICAL	YANTAI JEREH	2020	YANTAI JEREH	CHINA
MARINE & OFFSHORE	JINZHOU 25-1 OIL FIELD & 6-11 PROJECT	2020	CNOOC	CHINA
MARINE & OFFSHORE	H1787A LNG FSR / HUDONG SHIPYARD H1787A LNG FSRU LIGHTING	2020	HUDONG	CHINA
MARINE & OFFSHORE	CESI GLANDSTONE/HUDONG CESI GLANDSTONE LIGHTING	2020	HUDONG	CHINA
O&G, PETROCHEMICAL	2.5M TONS PTA-4 CABLE GLAND	2020	HENGLI	CHINA
O&G, PETROCHEMICAL	HUADONG ENERGY PHASE II	2020	HUADONG ENERGY	CHINA
O&G, PETROCHEMICAL	BOHUA PP PROJECT	2020	TCC	CHINA
O&G, PETROCHEMICAL	(OGDCL NASHAP PROJECT)	2020	HOAMAI	
O&G, PETROCHEMICAL	OMAN PROJECT	2020	BAOSHI MACHINERY	
O&G, PETROCHEMICAL	RAFFLES H1305 GM4D	2020	RAFFLES	CHINA
O&G, PETROCHEMICAL	OCC PROJECT	2020	LIANHONG MATERIAL	CHINA
O&G, PETROCHEMICAL	PTTLNG ASU OSBL	2020	PTTLNG	THAILAND

LE
ASIA

Electric

PO
Whole
integr
China

INDUSTRY	PROJECT	YEAR	OWNER	PROJECT LOCATION
MFG FACILITY/OTHER	YUANFANG INDUSTRIAL	2019	YUANFANG INDUSTRIAL	
MFG FACILITY/OTHER	2.5M TONS PTA-5	2019	HENGLI PETROCHEMICAL	
O&G, PETROCHEMICAL	400K TONS/YEAR ETHYLENE GLYCOL PROJECT	2019	MONGOLIA RONGXIN CHEMICAL	
O&G, PETROCHEMICAL	PARCO MODULE PROJECT	2019	HUALU ENGINEERING TECHNOLOGY	
CHEMICAL MANUFACTURING	FUJIAN SHENYUAN	2019	FUJIAN SHENYUAN	
O&G, PETROCHEMICAL	LBT	2019	LBT	
MARINE & OFFSHORE	H1305	2019	RAFFLES	CHINA
MFG FACILITY/OTHER	EMERSON	2019	EMERSON	CHINA
MFG FACILITY/OTHER	CTCI JG SUMMIT STAGE I EXPANSION PROJECT	2019	CTCI	TAIWAN
MARINE & OFFSHORE	H11297	2019	RAFFLES	
O&G, PETROCHEMICAL	PTTGC CONTRACT FOR CONDUIT BOX AND CABLE GLAND	2019	PTTGC	THAILAND
ENERGY & POWER	FORMOSA WIND TURBINE	2019	FORMOSA	TAIWAN
MFG FACILITY/OTHER	MICHELIN HTYL4	2019	MICHELIN	THAILAND
O&G, PETROCHEMICAL	ASM PROJECT	2019	PTT	THAILAND
TRANSPORTATION	RED LINE PROJECT	2019	SRT/ MITSUBISHI-HITACHI SUMITOMO CORPORATION	THAILAND
MARINE & OFFSHORE	H6006	2018	TSCOFFSHORE	
MARINE & OFFSHORE	H415	2019	RAFFLES	
MARINE & OFFSHORE	YCR011-270	2018	RAFFLES	
O&G, PETROCHEMICAL		2019	CNPC CPP	
O&G, PETROCHEMICAL	DUSHANZI REFINERY	2019	HQC	
O&G, PETROCHEMICAL	PAKISTAN PARCO MODULE	2019	HULU ENGINEERING	PAKISTAN
O&G, PETROCHEMICAL	PLANT FORMATION	2019	GARDNER DENVER (GDI)	
O&G, PETROCHEMICAL	94 95 PROJECT	2018	KERUI	
O&G, PETROCHEMICAL	NAMIBIA PROJECT	2018	CPP	NAMIBIA
O&G, PETROCHEMICAL	HANGZHOU STEAM TURBINE	2018	DALIAN HENGLI	
O&G, PETROCHEMICAL		2018	ANMETAL	
O&G, PETROCHEMICAL	XIJIANG 24-2	2019	CNOOC	CHINA
MARINE & OFFSHORE	LIUHUA FPSO	2019	CNOOC	CHINA
O&G, PETROCHEMICAL	LIUHUA 1-1	2018	CNOOC	CHINA
O&G, PETROCHEMICAL	FANYU 4-1	2018	CNOOC	CHINA

E
ASIA

Electric

POV
Wholes
integrat

China

INDUSTRY	PROJECT	YEAR	OWNER	PROJECT LOCATION
O&G, PETROCHEMICAL	HUIZHOU 25-1	2018	CNOOC	CHINA
O&G, PETROCHEMICAL	HUSKY	2018	SHENZHENG BRANCH OF CNOOC	
O&G, PETROCHEMICAL	NANJING WANLONG OIL EQUIPMENT	2018	NANJING WANLONG OIL EQUIPMENT	
O&G, PETROCHEMICAL	RUSSIA CRUDE OIL PROCESSING	2018	LIOAYANG CHEMICAL	
O&G, PETROCHEMICAL	AQUEOUS SOLUTION AMMONIA	2018	LIOAYANG CHEMICAL	
O&G, PETROCHEMICAL	HYDROETHERIFICATION	2018	LIOAYANG CHEMICAL	
O&G, PETROCHEMICAL	ALARM SYSTEM	2018	PAKISTAN CEMENT	
O&G, PETROCHEMICAL	WACKER- LED	2018	瓦克	
O&G, PETROCHEMICAL	LUNTE/SULZER	2018	LUNTE/SULZER	
O&G, PETROCHEMICAL	ADC2000HP	2018	ADC2000HP	
O&G, PETROCHEMICAL	ADC	2018	ADC2000HP	
ENERGY & POWER	MITR-PHOL AMNAJAROEN	2018	MITR-PHOL	THAILAND
O&G, PETROCHEMICAL	IRPC CCTV	2018	IRPC	THAILAND
O&G, PETROCHEMICAL	RONGXIN REFINERY & ETHYLENE PROJECT	2018		
O&G, PETROCHEMICAL	LIAOYANG REFINERY & ETHYLENE PROJECT	2018		
O&G, PETROCHEMICAL	SANTOS	2018		
O&G, PETROCHEMICAL	ZPC REFINERY & ETHYLENE PROJECT	2018		
O&G, PETROCHEMICAL	PUYANG METHANOL	2017		
O&G, PETROCHEMICAL	QUANZHOU REFINING	2017		
O&G, PETROCHEMICAL	BEIHAI REFINING	2017		
ENERGY & POWER	INDONESIA POWER PLANT	2017		
O&G, PETROCHEMICAL	YANAN COAL CHEMICAL PROJECT	2017		
O&G, PETROCHEMICAL	SAUDI P PROJECT	2017		
MARINE & OFFSHORE	H307	2017		
O&G, PETROCHEMICAL	AFFLIATED EQUIPMENT	2017		
	RC3/RC1 DRAGON FIELD DEVELOPMENT PROJECT		VIETSOVPEIRO JV	VIETNAM
O&G, PETROCHEMICAL	SONATRACH SKIKDA REFINERY REHABILITATION & ADAPTOR PROJECT		SONATRACH	ALGERIA
O&G, PETROCHEMICAL	MANGALOR AROMATIC COMPLEX		ONGC MANGALORE PETROCHEMIC INDIA	
	YETAGUN PHASE 4 DEVELOPMENT PROJECT		PTT EXPLORATION & PRODUCT PU MYANMAR	
	SOUTH MAHAKAM PHASE 1 & 2, TOTAL INDONESIA		TOTAL INDONESIA	INDONESIA

E SIA

Electric
OF HONGKONG, LTD.

POV
Wholes
integrat
China-

INDUSTRY	PROJECT	YEAR	OWNER	PROJECT LOCATION
	KASHAGAN DEVELOPMENT PROJECT		AGIP KCO	KAZAKSTAN
	TUPRAS LZMIT, RESID UPGRADING PROJECT		TUPRAS	TURKEY
O&G, PETROCHEMICAL	ESSO PNG PLANT PEOJECT, PAPUA NEW GUINEA		PAPUA NEW GUINEA ESSO HIGHLA	SINGAPORE
	ONGC B-193 PROJECT FIELD DEVELOPMENT PROJECT		OIL & GAS CORP.	INDIA
	BOROUGE 3		ABU DHABI POLYMERS CO.	UNITED ARAB EMIRATES
O&G, PETROCHEMICAL	DSME NORTH LPG TANK FARM PROJECT - KNPC AT MAA REFINERY, KUWAIT		KNPC	KUWAIT
O&G, PETROCHEMICAL	WASIT GAS PLANT PROJECT		SAUDI ARMCO	SAUDI ARABIA
O&G, PETROCHEMICAL	JUBAIL EXPORT REFINERY - COKER UNIT		SAUDI ARMCO TOTAL	SAUDI ARABIA
O&G, PETROCHEMICAL	JUBAIL EXPORT REFINERY PROJECT #3 AROMATICS UNITS		SAUDI ARMCO TOTAL	SAUDI ARABIA
O&G, PETROCHEMICAL	JUBAIL EXPORT REFINERY - ANALYZER SHELTERS		SAUDI ARMCO TOTAL	SAUDI ARABIA
O&G, PETROCHEMICAL	PROMAN M5000 METHANOL PLANT REFORMER MODIFICATION % M5000		PROMAN	TRINIDAD
	METHANOL PLANT UPGARDE - TRINIDAD			
	RUWAIS REFINERY EXPANSION PROJECT		TAKEER	UNITED ARAB EMIRATES
	KASHAGAN DEVELOPMENT EXPERIMENTAL PROGRAM		ENI AGIP KCO	KAZAKSTAN
ENERGY & POWER	OLKARIA III GEOTHERMAL POWER PLANT		OLKARIA	KENYA
O&G, PETROCHEMICAL	PDVSA REFINERY		PDVSA	VENEZUELA
MARINE & OFFSHORE	BP SCARV FPSO		BP	NORWAY
MARINE & OFFSHORE	ELF OFFSHORE PLATFORMS			CONGO
O&G, PETROCHEMICAL	TABRIZ PETROCHEMICAL PROJECT			IRAN
O&G, PETROCHEMICAL	REFINERY OF LEUNA			GERMANY
	RORSI KSTOVO PROJECT			RUSSIA
O&G, PETROCHEMICAL	TUPRAS IZMIT REFINERY			TURKEY
	OMSK PROJECT			RUSSIA
O&G, PETROCHEMICAL	LILENE POLYESTER PROJECT			CHINA
	PIDEC PROJECT			IRAN
	ROHM & HASS PROJECT			FRANCE
	QAFCO III EXPANSION PROJECT			QATAR
MARINE & OFFSHORE	ELF EXPLORATION GIRASOL PROJECT			AFRICA
MARINE & OFFSHORE	PRISA 101, 102, & 103 (DRILLING BARGES)			UNITED STATE OF AMERICA
MARINE & OFFSHORE	PRISA 111 & 112 (Drilling LIFTBOATS)			UNITED STATE OF AMERICA
	ADNOC OGD II PROJECT N° 1219			UNITED ARAB EMIRATES

E
ASIA

Electric

POV
Wholes
integrat

China-

INDUSTRY	PROJECT	YEAR	OWNER	PROJECT LOCATION
MARINE & OFFSHORE	WD KENT (DERRICK SET)			UNITED STATE OF AMERICA
MARINE & OFFSHORE	CPC-R/CRUDE OIL PIPELINE SYSTEM - MARINE TERMINAL			RUSSIA
	NODCO REFINERY EXPANSION PROJECT			QATAR
O&G, PETROCHEMICAL	OCEAN CONFIDENCE (SEMI-SUBMERSIBLE DRILLING RING)			UNITED STATE OF AMERICA
O&G, PETROCHEMICAL	AMOC LUBE OIL EXPANSION PROJECT			EGYPT
O&G, PETROCHEMICAL	WATER TREATMENT PLANT IN KERTIH			MALAYSIA
	RINGHORN			NORWAY
O&G, PETROCHEMICAL	CNC - AMMONIA PLANT (2040 STPP)			TRINIDAD
MARINE & OFFSHORE	SEMI-SUBMERSIBLE BARGE			CHINA
	NUOVO ZHUHAI N°1 PTA			CHINA
	TUNU FIELD DEVELOPMENT - TP8/EPSC1			INDONESIA
	KARACHAGANAK			KAZAKSTAN
	RPMAA UNITS AT MAA REFINERY (RPMAA)			KUWAIT
	NEW TRADE CENTER			QATAR
	BD1 PLATFORM CONTRACT C137/C021			LIBIA
	FABRICATION PANELS & LIGHTING SYSTEM			UNITED STATE OF AMERICA
MARINE & OFFSHORE	P43 – JURONG SHIPYARD / PETROBRAS			SINGAPORE
O&G, PETROCHEMICAL	VAPOUR RECOVERY & MINIMIZED FLARING			UNITED ARAB EMIRATES
MARINE & OFFSHORE	SAKHALIN 1, LAND RIG			RUSSIA
O&G, PETROCHEMICAL	PP UNIT – CHEMOPETROL LITVINOV			CZECH REPUBLIC
O&G, PETROCHEMICAL	OIL SWAP – NEKA TERMINAL			CASPIAN SEA REPUBLIC'S
	PTA YIZHEN			CHINA
O&G, PETROCHEMICAL	KNPC NEW OIL PIER PROJECT			KUWAIT
	RAS LAFFAN PROJECT			QATAR
MARINE & OFFSHORE	SOROOSH & NOWROOZ INTEGRATED DEVELOPMENT (SHELL EXPLORATION BV)			IRAN
	FERTILIZER COMPLEX – QAFCO IV EXPANSION PROJECT			QATAR
O&G, PETROCHEMICAL	CTCI – 35000 MPTY ABS/SAN PLANT			IRAN
O&G, PETROCHEMICAL	9TH OLEFIN COMPLEX – ETHANE CRACKING PLANT			IRAN
	DOROOD PROJECT			IRAN
	SOUTH OARS PH. 4 + 5			IRAN

LE ASIA



INDUSTRY	PROJECT	YEAR	OWNER	PROJECT LOCATION
O&G, PETROCHEMICAL	MARUN HDPE PLANT - MARAPOL			IRAN
	BASELL WESSELING			GERMANY
O&G, PETROCHEMICAL	BASF POLYTHF PLANT			CHINA
O&G, PETROCHEMICAL	N2000 – AMMONIA PLANT (2040 STPD)			TRINIDAD
	AI KHALIJ NORTHERN ARAE FIELD DEVELOPMENT (TOTAL)			QATAR
O&G, PETROCHEMICAL	OCR REVAMP OF ARDS UNIT AT MBA REFINERY			KUWAIT
MARINE & OFFSHORE	P50 – JURONG SHIPYARD / PETROBRAS			SINGAPORE
O&G, PETROCHEMICAL	TURPAS IZMIR REFINERY DHP PROJECT			TURKEY
MARINE & OFFSHORE	BONGKOT FIELD DEVELOPMENT PROJECT PHASE 3C			INDONESIA
	SASOL PROJECT			QATAR
MARINE & OFFSHORE	HQCEC – SHELL NANHAI CSPC, 3P PORTION			CHINA
O&G, PETROCHEMICAL	SHELL INCINERATOR – SULPHURIC ACID RECYCLING SYSTEM			CHINA
O&G, PETROCHEMICAL	CSPC NANHAI PETROCHEMICALS PROJECT ECU/LCI PLANT			CHINA
O&G, PETROCHEMICAL	METHANOL PLANT			TRINIDAD
O&G, PETROCHEMICAL	SAFCO 4 FERTILISHER PLANT			SAUDI ARABIA
MARINE & OFFSHORE	AMENAM PHASE II AMP 2 TOPSIDE FOR ELF PETROLEAM NIGERIA LTD (EPNL)			NIGERIA
MARINE & OFFSHORE	P52 - Lower Hull / FM PETRECO / PETROBRAS			SINGAPORE
	CUJULONG & TAMDAO PROJECT			VIETNAM
	GAS PROCESSING PLANT, SaJJA UAE			UNITED ARAB EMIRATES
	P54 – JURONG SHIPYARD Pte Ltd / PETROBRAS			SINGAPORE
	ORYX PROJECT			QATAR
	SAKHALIN II - SHELL PROJECT - ATEX CABLE GLANDS FOR LIGHTING FIXTURE			RUSSIA
	CPPE (CHINA) KC13 PROJECT			KAZAKSTAN
MARINE & OFFSHORE	GULF FARABI			SAUDI ARABIA
	BAKU - TIPHILIS - CEYHAN PIPELINE			AZERBAIDJAN
O&G, PETROCHEMICAL	PROCESS BUILDING PROJECT - SAKHALIN EPC - EXXON NEFTGAS LIMITED			RUSSIA
	CFD PHASE II			CHINA
O&G, PETROCHEMICAL	MO 3000 – METHANOL PLANT			OMAN
	KASHAGAN FIELD DEVELOPMENT PROJECT - AGIP KCO			KAZAKSTAN
	VICTORIA (GOLFNOH II) - SAIPEM, ITALY			UNITED ARAB EMIRATES

POV
Wholes
integrat
China

INDUSTRY	PROJECT	YEAR	OWNER	PROJECT LOCATION
	HYUNDAI HEAVY INDUSTRIAL – (KOC) KCEF PROJECT			KUWAIT
	SAUDI ARAMCO – KHURSANIYAH NGL PROJECT		SAUDI ARAMCO	SAUDI ARABIA
O&G, PETROCHEMICAL	E-LAB PROJECT FOR EGYPTIAN LINEAR ALKYL BENZENE COMPANY			EGYPT
O&G, PETROCHEMICAL	QP LAFFN REFINERY PROJECT (7S19)			QATRA
O&G, PETROCHEMICAL	MG-3, LUBE OIL MELAKA PROJECT FOR PETRONAS		PETRONAS	MALAYSIA
O&G, PETROCHEMICAL	SOHAR AROMATIC (AOL)			OMAN
ENERGY & POWER	LIANGAO NUCLEAR POWER STATION PHASE II			CHINA
O&G, PETROCHEMICAL	CTCI BANGCHAK PROJECT		BANGCHAK	THAILAND
MARINE & OFFSHORE	GUNANUSA, TOTAL TUNU 11 - EPSC 1 AND 2 PROJECT		GUNANUSA	INDONESIA
O&G, PETROCHEMICAL	AUM COMPLEX MHTL			TRINIDAD
O&G, PETROCHEMICAL	KHAFJI FDP PHASE 1 FACILITIES ONSHORE PROJECT			SAUDI ARABIA
O&G, PETROCHEMICAL	FUJIAN ETHYLENE & REFINERY PROJECT (SINOPEC FUJIAN REFINERY CHEMISTRY CO., LTD)		SINOPEC	CHINA
O&G, PETROCHEMICAL	SALALAH METHANOL PROJECT - SALALAH			OMAN
	BOREALIS PROJECT LD5 STENUNGSUND			SWEDEN
	ECOPETRO HDT PROJECT			COLUMBIA
MARINE & OFFSHORE	LDPE. PTTEP		PTTEP	THAILAND
O&G, PETROCHEMICAL	MOC.SCG (MAP TA PHUT OLYFINS)		SCGC	THAILAND
O&G, PETROCHEMICAL	SPE II (SIAM POLYETHYLENE II)		SCGC	THAILAND
O&G, PETROCHEMICAL	TPE/HDPE#4		SCGC	THAILAND
O&G, PETROCHEMICAL	SORFERT ALGERIA SPA IN ARZEW - AMMONIA / UREA FERTILISER COMPLEX			ALGERIA
O&G, PETROCHEMICAL	SINOPEC CHINA, 1000KTA ETHYLENE AND ASSEMBLY PROJECT		SINOPEC	CHINA
MARINE & OFFSHORE	B.T. ENGINEERING PTE LTD - PETROBRAS P53		PETROBRAS	SINGAPORE
MARINE & OFFSHORE	VIETSOVPEIRO JV RC3/RC1 DRAGON FIELD DEVELOPMENT PROJECT			VIETNAM
O&G, PETROCHEMICAL	SONATRACH SONATRACH SKIKDA REFINERY REHABILITATION& ADAPTATION PROJECT			ALGERIA
O&G, PETROCHEMICAL	ONGC MANGALORE PETROCHEMICALS LTD. MANGALORE AROMATIC COMPLEX			INDIA
MARINE & OFFSHORE	PTTEP PUBLIC CO. LTD YANTAGUN PHASE 4 DEVELOPMENT PROJECT		PTTEP	MYANMAR
MARINE & OFFSHORE	TOTAL INDONESIA SOUTH MAHAKAM PHASE 1&2, TOTAL INDONESIA		TOTAL INDONESIA	INDONESIA
	AGIP KCO KASHAGAN DEVELOPMENT PROJECT			KAZAKSTAN
	TÜPRAS TUPRAS IZMIT, RESID UPGRADING PROJECT			TURKEY
O&G, PETROCHEMICAL	ESSO HIGHLANDS LTD ESSO PNG LNG PLANT PROJECT		EXXON MOBIL	PAPUA NEW GUINEA

LE
ASIA

Electric

POV
Wholes
integrat

China

INDUSTRY	PROJECT	YEAR	OWNER	PROJECT LOCATION
	ONGC B-193 project FIELD DEVELOPMENT PROJECT			INDIA
	ABU DHABI POLYMERS CO. BOROUGE 3			UNITED ARAB EMIRATES
O&G, PETROCHEMICAL	KNPC DSME North LPG TANK FARM PROJECT - KNPC AT MAA REFINERY			KUWAIT
ENERGY & POWER	SAUDI ARAMCO WASIT GAS PLANT PROJECT		SAUDI ARAMCO	SAUDI ARABIA
O&G, PETROCHEMICAL	SAUDI ARAMCO TOTAL UBAIL EXPORT REFINERY - COKER UNIT		SAUDI ARAMCO	SAUDI ARABIA
O&G, PETROCHEMICAL	SAUDI ARAMCO TOTAL JUBAIL EXPORT REFINERY PROJECT #3AROMATICS UNITS KSA		SAUDI ARAMCO	SAUDI ARABIA
O&G, PETROCHEMICAL	SAUDI ARAMCO TOTAL JUBAIL EXPORT REFINERY - ANALYZER SHELTERS		SAUDI ARAMCO	SAUDI ARABIA
O&G, PETROCHEMICAL	PROMAN M5000 METHANOL PLANT REFORMER MODIFICATION & M5000			TRINIDAD
O&G, PETROCHEMICAL	METHERNAL PLANT UPGRADE			
O&G, PETROCHEMICAL	TAKREER RUWAIS REFINERY EXPANSION PROJECT			UNITED ARAB EMIRATES
	ENI AGIP KCO KASHAKAN DEVELOPMENT EXPERIMENTAL PROGRAM			KAZAKSTAN
ENERGY & POWER	OLKARIA III GEOTHERMAL POWER PLANT			KENYA
O&G, PETROCHEMICAL	PDVSA PDVSA REFINERY			VENEZUELA
MARINE & OFFSHORE	BP SCARV FPSO		BP	NORWAY
O&G PETROCHEMICAL	HANWHA E&C/MA'ADEN PHOSOHATE POWER & DESALINATION PROJECT			SAUDI ARABIA
O&G PETROCHEMICAL	PETRONAS MELAKA REFINERY PROJECT		PETRONAS	MALAYSIA
O&G PETROCHEMICAL	BASF PETRONAS PROJECT		PETRONAS	MALAYSIA
O&G PETROCHEMICAL	PETRONAS MLNG PROJECT		PETRONAS	MALAYSIA
	STV-5X PRIJECT			VIETNAM
	31-4 SVNE PROJECT PTSC, CUU LONG			VIETNAM
	HRD PROJECT PTSC, CUU LONG			VIETNAM
	SU TU NAU PROJECT PTSC, CUU LONG			VIETNAM
	SU TU VANG SOUTH AND WEST PROJECT PTSC, CUU LONG			VIETNAM
	IVAR ARSON PROJECT S.M.O.E (MUSTANG) NORWAY			SINGAPORE
MARINE & OFFSHORE	PETRONAS IES PROJECT PETROFAC		PETRONAS	MALAYSIA
O&G PETROCHEMICAL	EXXON MOBIL TAPIS C PROJECT		EXXON MOBIL	MALAYSIA
MARINE & OFFSHORE	PETRONAS SK316 PROJECT TECHNIP		PETRONAS	MALAYSIA
MARINE & OFFSHORE	CHEVRON INDONESIA NDD13 PROJECT		CHEVRON	INDONESIA
MARINE & OFFSHORE	PT MEINDO : SALAMANDER-21178-KERENDAN GAS FACILITIES PROJECT		PT MEINDO	INDONESIA
MARINE & OFFSHORE	PT MEINDO : SALAMANDER - RUBY FIELD DEVELOPMENT PROJECT		PT MEINDO	INDONESIA

INDUSTRY	PROJECT	YEAR	OWNER	PROJECT LOCATION
MARINE & OFFSHORE	PT PAL: CNOOC BANUAWTI PROJECT		PT PAL	INDONESIA
MARINE & OFFSHORE	PT GUNANUSA UTAMA: HVAC QP2 SISI NUBI 2B PROJECT		PT GUNANUSA	INDONESIA
MARINE & OFFSHORE	JGC INDONESIA - LOBP MONAS PROJECT		JGC INDONESIA	INDONESIA
MARINE & OFFSHORE	POSCO HEAVY GAS PROJECT		POSCO	THAILAND
	RANTAU PANJANG AND PANGKALAN BRANDA PROJECT		RANTAU PANJANG	INDONESIA
	TOYO THAI TOYO D172 PROJECT			THAILAND
O&G PETROCHEMICAL	DOW CHEMICAL, PACIFIC DMC POLYOL PLANT PROJECT		DOW CHEMICAL	THAILAND
MARINE & OFFSHORE	PETRONAS THAIBINH WHP PROJECT (PV SHIPYARD)		PETRONAS THAIBINH	VIETNAM
	PUSRI 2B PROJECT IKPT		PUSRI	INDONESIA
	P76 PETROBRAS PROJECT SIEMENS		PETROBAS	SINGAPORE
	THIEN UNG PROJECT PTSC		THIEN	VIETNAM
	TGT H05 PROJECT PTSC HOANGLONG JOC		TGT H	VIETNAM
O&G PETROCHEMICAL	YAMAL LNG PROJECT (LINGJACK)		YAMAL	SINGAPORE
MARINE & OFFSHORE	SANTOS GLNG TRANSFORMER PROJECT PT. UNILEC INDONESIA		SANTOS	INDONESIA
O&G PETROCHEMICAL	YAMAL LNG SUB STATION PROJECT (SIEMENS) 29 + 3 SUB-STATION TILL 2017 (3YRS)		YAMAL	SINGAPORE
	SHELL MARINA		SHELL	SINGAPORE
	UPPER ZADCOM 750 PROJECT (PETROFAC) (SIEMENS)			SINGAPORE
	HITACHI RUNG TA WAN PHASE II			THAILAND
	AFTON PROJECT			SINGAPORE
MARINE & OFFSHORE	UPPER ZADCOM 750 PROJECT (PETROFAC)(DSME)			SOUTH OF KOREA
MARINE & OFFSHORE	UPPER ZADCOM 750 PROJECT (PETROFAC)			MIDDLE EAST
MARINE & OFFSHORE	UPPER ZADCOM 750 PROJECT (PETROFAC) (MIAC SERVICES CO., LTD.)			THAILAND
	PROJECT 312 KNPC MODULE (KUWAIT NATIONAL PETRO)		KUWAIT NATIONAL	SINGAPORE
	ARIO DAMAR - SWIRIJAYA OIL AND GAS DEVELOPMENT PROJECT (PT SYNERGY)			INDONESIA
	TOTAL KOAMBO PROJECT (SIEMENS)		TOTAL	SINGAPORE
	UPPER ZADCOM 750 PROJECT (PETROFAC) DYNAMAC		PETROFAC	SINGAPORE
	TROPIK ENERGI PANDAN PROJECT (PT SYNERGY)		TROPIK ENERGI	INDONESIA
	SOHAR PROJECT (SIEMENS)			SINGAPORE
	BS-171 KOC PROJECT SAIPEM			SINGAPORE
O&G PETROCHEMICAL	UPPER ZADCOM 750 PROJECT (PETROFAC) LAMPRELL		PETROFAC	UNITED ARAB EMIRATES